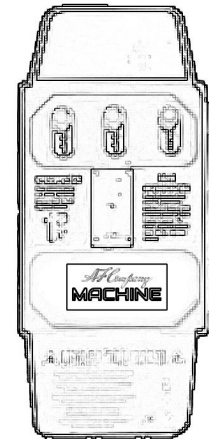
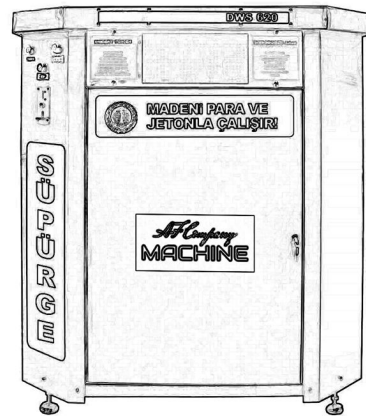
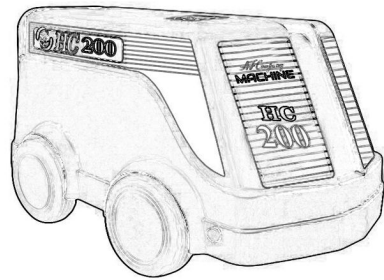
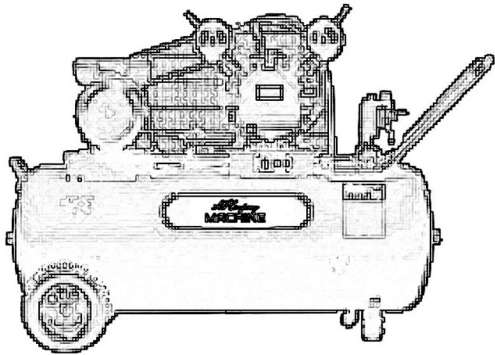


A.F. Company **MACHINE**



HC 170

Pressure Car Washing Machine
Basınçlı Oto Yıkama Makinası

| | |
|-----------------------------|--|
| VOLTAJ / VOLTAGE | 380 V / 50 HZ |
| BASINÇ / PRESSURE BAR | 170 Bar |
| MOTOR GÜCÜ / MOTOR POWER | 3 kv / 4 hp |
| MOTOR HIZI / ENGINE SPEED | 1400 / minute |
| POMPA ÇEVİRİMİ / PUMP CYCLE | 1400 / minute |
| SU AKIŞI / WATER FLOW | 13 L / minute |
| GÖVDE / BODY | Plastic |
| ÖLÇÜLER / DIMENSIONS | 60 X 110 X 68 |
| AĞIRLIK / WEIGHT | 60 KG |
| AKSESUARLAR / ACCESSORIES | 10 M R2 steel wire double wrapped hose, no trigger gun, gun nozzle |



HC 200

Pressure Car Washing Machine
Basıncılı Oto Yıkama Makinası

| | |
|-----------------------------|--|
| VOLTAJ / VOLTAGE | 380 V / 50 HZ |
| BASINÇ / PRESSURE BAR | 200 Bar |
| MOTOR GÜCÜ / MOTOR POWER | 4 kv / 5,5 hp |
| MOTOR HIZI / ENGINE SPEED | 1400 / minute |
| POMPA ÇEVİRİMİ / PUMP CYCLE | 1400 / minute |
| SU AKIŞI / WATER FLOW | 14 L / minute |
| GÖVDE / BODY | Plastic |
| ÖLÇÜLER / DIMENSIONS | 60 X 110 X 68 |
| AĞIRLIK / WEIGHT | 70 KG |
| AKSESUARLAR / ACCESSORIES | 10 M R2 steel wire double wrapped hose, no trigger gun, gun nozzle |



HC 250

Pressure Car Washing Machine
Basıncılı Oto Yıkama Makinası

| | |
|-----------------------------|--|
| VOLTAJ / VOLTAGE | 380 V / 50 HZ |
| BASINÇ / PRESSURE BAR | 250 Bar |
| MOTOR GÜCÜ / MOTOR POWER | 5,5 kw / 7,5 hp |
| MOTOR HIZI / ENGINE SPEED | 1400 / minute |
| POMPA ÇEVİRİMİ / PUMP CYCLE | 1400 / minute |
| SU AKIŞI / WATER FLOW | 15 L / minute |
| GÖVDE / BODY | Plastic |
| ÖLÇÜLER / DIMENSIONS | 60 X 110 X 68 |
| AĞIRLIK / WEIGHT | 80 KG |
| AKSESUARLAR / ACCESSORIES | 10 M R2 steel wire double wrapped hose, no trigger gun, gun nozzle |



HC 300

Pressure Car Washing Machine
Basıncılı Oto Yıkama Makinası

| | |
|-----------------------------|--|
| VOLTAJ / VOLTAGE | 380 V / 50 HZ |
| BASINÇ / PRESSURE BAR | 300 Bar |
| MOTOR GÜCÜ / MOTOR POWER | 7.5 kw / 10 hp |
| MOTOR HIZI / ENGINE SPEED | 1400 / minute |
| POMPA ÇEVİRİMİ / PUMP CYCLE | 1400 / minute |
| SU AKIŞI / WATER FLOW | 16 L / minute |
| GÖVDE / BODY | Plastic |
| ÖLÇÜLER / DIMENSIONS | 60 X 110 X 68 |
| AĞIRLIK / WEIGHT | 90 KG |
| AKSESUARLAR / ACCESSORIES | 10 M R2 steel wire double wrapped hose, no trigger gun, gun nozzle |



HC 400

Pressure Car Washing Machine Basıncılı Oto Yıkama Makinası

| | |
|-----------------------------|--|
| VOLTAJ / VOLTAGE | 380 V / 50 HZ |
| BASINÇ / PRESSURE BAR | 400 Bar |
| MOTOR GÜCÜ / MOTOR POWER | 11 kv / 15 hp |
| MOTOR HIZI / ENGINE SPEED | 1400 / minute |
| POMPA ÇEVİRİMİ / PUMP CYCLE | 1400 / minute |
| SU AKIŞI / WATER FLOW | 21 L / minute |
| GÖVDE / BODY | Plastic |
| ÖLÇÜLER / DIMENSIONS | 65 X 130 X 87 |
| AĞIRLIK / WEIGHT | 100 KG |
| AKSESUARLAR / ACCESSORIES | 10 M R2 steel wire double wrapped hose, no trigger gun, gun nozzle |





HC 500

Pressure Car Washing Machine
Basıncılı Oto Yıkama Makinası

| | |
|-----------------------------|--|
| VOLTAJ / VOLTAGE | 380 V / 50 HZ |
| BASINÇ / PRESSURE BAR | 500 Bar |
| MOTOR GÜCÜ / MOTOR POWER | 21 kv / 30 hp |
| MOTOR HIZI / ENGINE SPEED | 1400 / minute |
| POMPA ÇEVİRİMİ / PUMP CYCLE | 1400 / minute |
| SU AKIŞI / WATER FLOW | 21 L / minute |
| GÖVDE / BODY | Plastic |
| ÖLÇÜLER / DIMENSIONS | 70 X 130 X 90 |
| AĞIRLIK / WEIGHT | 150 KG |
| AKSESUARLAR / ACCESSORIES | 10 M R2 steel wire double wrapped hose, no trigger gun, gun nozzle |

SHC 170

Pressure Car Washing Machine
Basıncılı Oto Yıkama Makinası

| | |
|---------------------------------|--|
| VOLTAJ / VOLTAGE | 380 V / 50 HZ |
| BASINÇ / PRESSURE BAR | 170 Bar |
| YAKIT TİPİ / FUEL TYPE | Motorin / Diesel |
| ISITMA SİSTEMİ / HEATING SYSTEM | Serpantin / Serpentine |
| MOTOR GÜCÜ / MOTOR POWER | 5.5 hp |
| MOTOR HIZI / ENGINE SPEED | 1400 / minute |
| POMPA ÇEVİRİMİ / PUMP CYCLE | 1400 / minute |
| SU AKIŞI / WATER FLOW | 13 L / minute |
| GÖVDE / BODY | Plastic |
| ÖLÇÜLER / DIMENSIONS | 60 X 110 X 75 |
| AĞIRLIK / WEIGHT | 90 KG |
| AKSESUARLAR / ACCESSORIES | 10 M R2 steel wire double wrapped hose, no trigger gun, gun nozzle |



SHC 200

Pressure Car Washing Machine
Basıncılı Oto Yıkama Makinası

| | |
|---------------------------------|--|
| VOLTAJ / VOLTAGE | 380 V / 50 HZ |
| BASINÇ / PRESSURE BAR | 200 Bar |
| YAKIT TİPİ / FUEL TYPE | Motorin / Diesel |
| ISITMA SİSTEMİ / HEATING SYSTEM | Serpantin / Serpentine |
| MOTOR GÜCÜ / MOTOR POWER | 5.5 hp |
| MOTOR HIZI / ENGINE SPEED | 1400 / minute |
| POMPA ÇEVİRİMİ / PUMP CYCLE | 1400 / minute |
| SU AKIŞI / WATER FLOW | 14 L / minute |
| GÖVDE / BODY | Plastic |
| ÖLÇÜLER / DIMENSIONS | 60 X 110 X 75 |
| AĞIRLIK / WEIGHT | 95 KG |
| AKSESUARLAR / ACCESSORIES | 10 M R2 steel wire double wrapped hose, no trigger gun, gun nozzle |



SHC 250

Pressure Car Washing Machine Basıncılı Oto Yıkama Makinası

| | |
|---------------------------------|--|
| VOLTAJ / VOLTAGE | 380 V / 50 HZ |
| BASINÇ / PRESSURE BAR | 250 Bar |
| YAKIT TIPI / FUEL TYPE | Motorin / Diesel |
| ISITMA SİSTEMİ / HEATING SYSTEM | Serpantin / Serpentine |
| MOTOR GÜCÜ / MOTOR POWER | 7.5 hp |
| MOTOR HIZI / ENGINE SPEED | 1400 / minute |
| POMPA ÇEVİRİMİ / PUMP CYCLE | 1400 / minute |
| SU AKIŞI / WATER FLOW | 15 L / minute |
| ÇÖVDE / BODY | Plastic |
| ÖLÇÜLER / DIMENSIONS | 60 X 110 X 75 |
| AĞIRLIK / WEIGHT | 100 KG |
| AKSESUARLAR / ACCESSORIES | 10 M R2 steel wire double wrapped hose, no trigger gun, gun nozzle |



SHC 300

Pressure Car Washing Machine
Basıncılı Oto Yıkama Makinası

| | |
|---------------------------------|--|
| VOLTAJ / VOLTAGE | 380 V / 50 HZ |
| BASINÇ / PRESSURE BAR | 300 Bar |
| YAKIT TİPİ / FUEL TYPE | Motorin / Diesel |
| ISITMA SİSTEMİ / HEATING SYSTEM | Serpantin / Serpentine |
| MOTOR GÜCÜ / MOTOR POWER | 10 hp |
| MOTOR HIZI / ENGINE SPEED | 1400 / minute |
| POMPA ÇEVİRİMİ / PUMP CYCLE | 1400 / minute |
| SU AKIŞI / WATER FLOW | 16 L / minute |
| GÖVDE / BODY | Plastic |
| ÖLÇÜLER / DIMENSIONS | 60 X 110 X 75 |
| AĞIRLIK / WEIGHT | 105 KG |
| AKSESUARLAR / ACCESSORIES | 10 M R2 steel wire double wrapped hose, no trigger gun, gun nozzle |



K 6000

Foam Machine Köpük Makinası

| | |
|-----------------------------------|-----------------|
| BASINÇ / PRESSURE | 5 bar |
| KAPASİTE / CAPACITY | 65 lt |
| HORTUM UZUNLUĞU / HOSE LENGTH | 5 m |
| HORTUM KALINLIĞI / HOSE THICKNESS | 8 mm |
| BOYUTLAR / DIMENSIONS | 40 x 40 x 85 cm |
| AĞIRLIK / WEIGHT | 17 KG |



K 9000

Foam Machine
Köpük Makinası

| | |
|-----------------------------------|-------|
| BASINÇ / PRESSURE | 5 bar |
| KAPASİTE / CAPACITY | 90 lt |
| HORTUM UZUNLUĞU / HOSE LENGTH | 5 m |
| HORTUM KALINLIĞI / HOSE THICKNESS | 8 mm |



HCS 200

Self Service Coin Operated Car Wash Machine
Self Servis Jetonlu Oto Yıkama Makinası

| | |
|----------------------------|------------------|
| VOLTAJ / VOLTAGE | 380 V / 50 HZ |
| MOTOR GÜCÜ / MOTOR POWER | 5,5 Hp. |
| BASINÇ / PRESSURE BAR | 200 Bar |
| SU DEBİSİ / WATER FLOW | 14 lt. / minute |
| MOTOR DEVRİ / ENGINE SPEED | 1400 d. / minute |
| POMPA DEVRİ / PUMP CYCLE | 1400 d. / minute |
| AĞIRLIK / WEIGHT | 65 Kg |



HCK 200

2 in 1 Washing and Foaming Machine
2 in 1 arada Yıkama ve Köpük Makinası

| | |
|----------------------------|------------------|
| VOLTAJ / VOLTAGE | 380 V / 50 HZ |
| MOTOR GÜCÜ / MOTOR POWER | 5,5 Hp. |
| BASINÇ / PRESSURE BAR | 200 Bar |
| SU DEBİSİ / WATER FLOW | 14 lt. / minute |
| MOTOR DEVRİ / ENGINE SPEED | 1400 d. / minute |
| POMPA DEVRİ / PUMP CYCLE | 1400 d. / minute |
| AĞIRLIK / WEIGHT | 65 Kg |

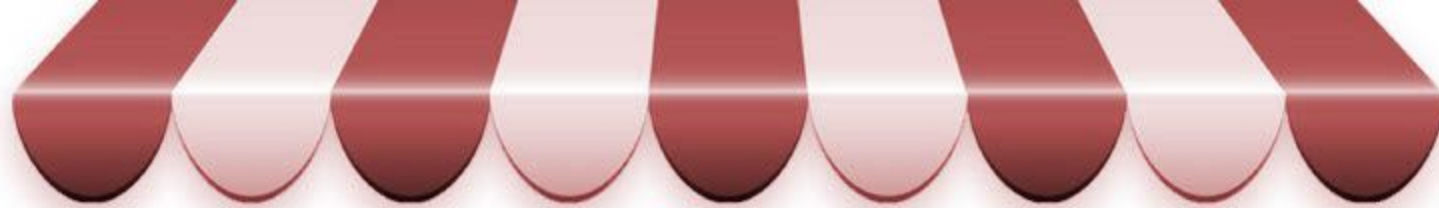


DWS 620

Coin Operated Vacuum Cleaners
Jetonlu Süpürge Makineleri

| | |
|----------------------------|----------------------|
| VOLTAJ / VOLTAGE | 220 V – 50 Hz |
| MOTOR GÜCÜ / MOTOR POWER | 1200 Watt x 2 |
| TRIBÜN TİPİ / TRIBUNE TYPE | By Pass (Çift Fanlı) |
| HAVA AKIŞI / AIR FLOW | 7000 lt./ minute |
| KAPASİTE / CAPACITY | 60 lt. |
| MATERYAL / MATERIEL | Krom / Chromium |
| AGIRLIK / WEIGHT | 47 kg |





AF Company

MACHINE

www.afcmachine.com

